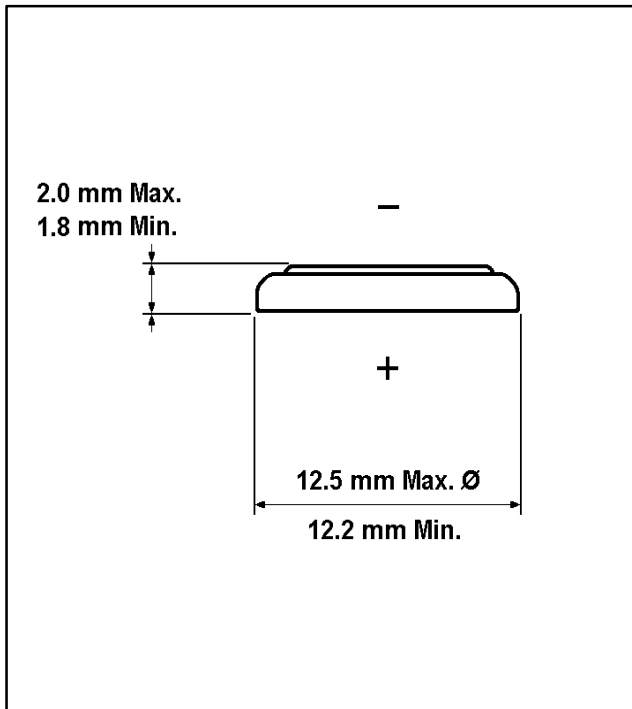


Lithium Manganese Dioxide Battery

CR1220



SPECIFICATIONS

| | |
|---------------------------------|-------------------------|
| Minimum No Load Voltage: | 3.1 V |
| Minimum On Load Voltage: | 2.1V on 470Ohms at 1000 |

| | |
|---------------------|-------------------------------|
| Minimum Life | 564 H 4.7k Ohms Hr/Day 2 V |
|---------------------|-------------------------------|

| | |
|-----------------------|-----------------------------|
| Rated Capacity | 34 mAh on 4.7kOhms to 2V |
|-----------------------|-----------------------------|

| | |
|---------------|---------------------|
| Volume | .25 cm ³ |
|---------------|---------------------|

| | |
|---------------|-----|
| Weight | .8g |
|---------------|-----|

| Physical Size in mm | Max | Min |
|---------------------|------|------|
| Height/Length | 2 | 1.8 |
| Width/Diameter | 12.5 | 12.2 |
| Depth | | |

Typical Discharge Characteristics

